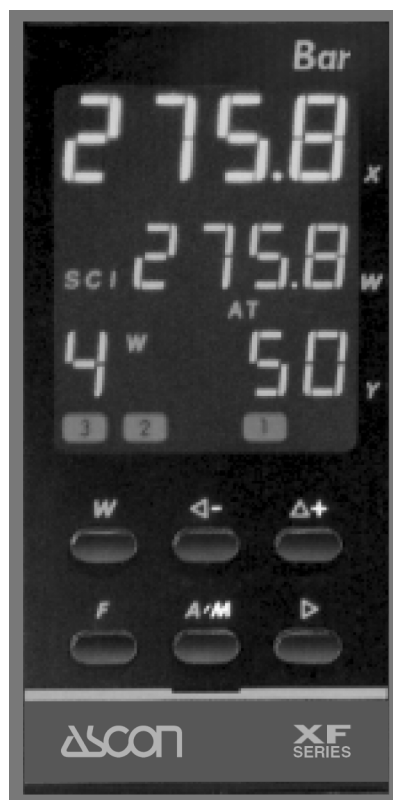


FUZZY Universal Controller with total configuration 48x96 DIN, **XF Series**



INSTRUCTION MANUAL
MIU.XF- 2/96.10/E
COD J30-154-1AXF ING



GENERAL INDEX

1	IDENTIFICATION OF MODEL	page 1
2	FUNCTION OF KEYS AND DISPLAYS.....	page 3
3	DIMENSIONS, INSTALLATION	page 6
4	ELECTRICAL WIRING.....	page 7
5	Y2 - Y3 AUXILIARY OUTPUTS	page 14
6	PASSWORDS	page 16
7	PROGRAMMING PROCEDURE (see enclosed leaflet) CONFIGURATION PARAMETERS	
8	OPERATING DIRECTIONS (see enclosed leaflet) SET POINT AUTO/MAN LOC/REM AUTO-TUNE	
9	MODIFYING THE OPERATING STATE	page 17
12	TECHNICAL DATA	page 18

SERIAL COMMUNICATION
(see DIRECTIONS FOR USE “serial communication
supplement” MIU-CS/E supplied separately)

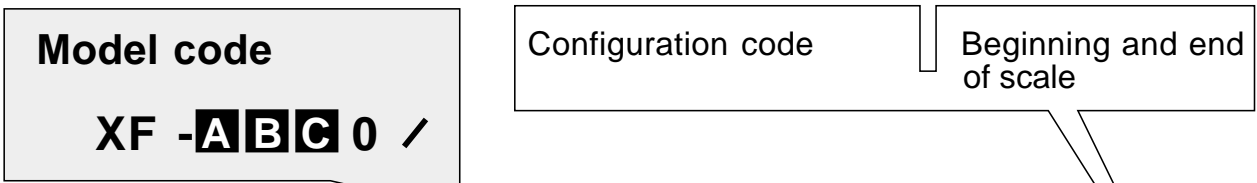
1 • IDENTIFICATION OF MODEL

Thank you for choosing an ASCON controller

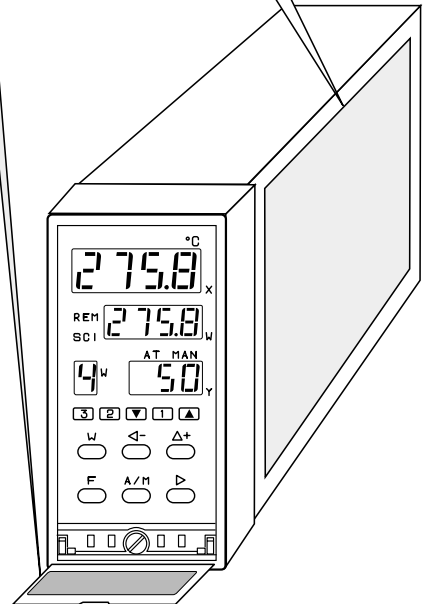
The instruments of the XF series belong to the last generation of microprocessor based controller, are universal, very powerful but simple to use.

They are fitted with AUTO-TUNE , an auxiliary for system start-up, and serial communication for introduction into a distributed control network. They are complete because all possible variables are always present. Configuration of the instrument permits determination of the operating mode according to the application required.

1.1 Identification of model



	Power supply	A
	100 ...240 V 50/60 Hz	3
	16 ...28 V 50/60 Hz and 20...30 Vdc	5
OPTIONS	Serial communications	B
	None	0
	20mA C.L Std Ascon protocol	1
	20mA C.L. Modbus/Jbus protocol	2
	RS485 port Modbus/Jbus protocol	3
	Retransmission output Y4	C
	None	0
	Fitted (4...20 mA or 0...10 Vdc)	1



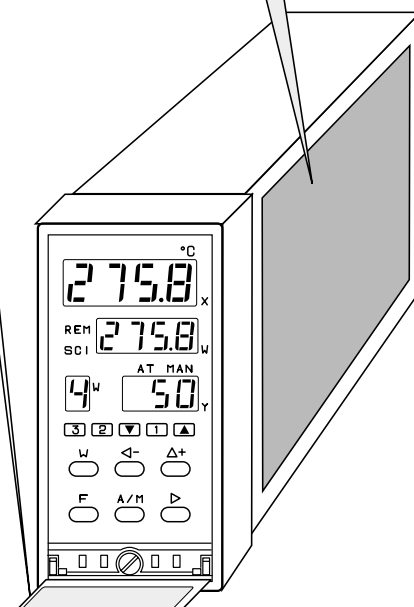
1 • IDENTIFICATION OF MODEL

1.2 Configuration code

Configuration code
EFGH - ILMN /


Beginning and end of scale
O P

Model code



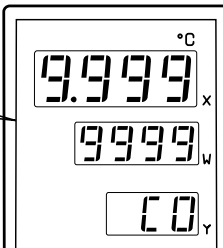
1st part	Input X	E
		F
	Main output Y1	G
		H
2nd part	Auxiliary output Y2	I
	Auxiliary output Y3	L
	Retransmission output Y4	M
	Set point W	N
Beginning and end of scale (for configurable scales only)		O
		P

The controller is normally configured in the factory.



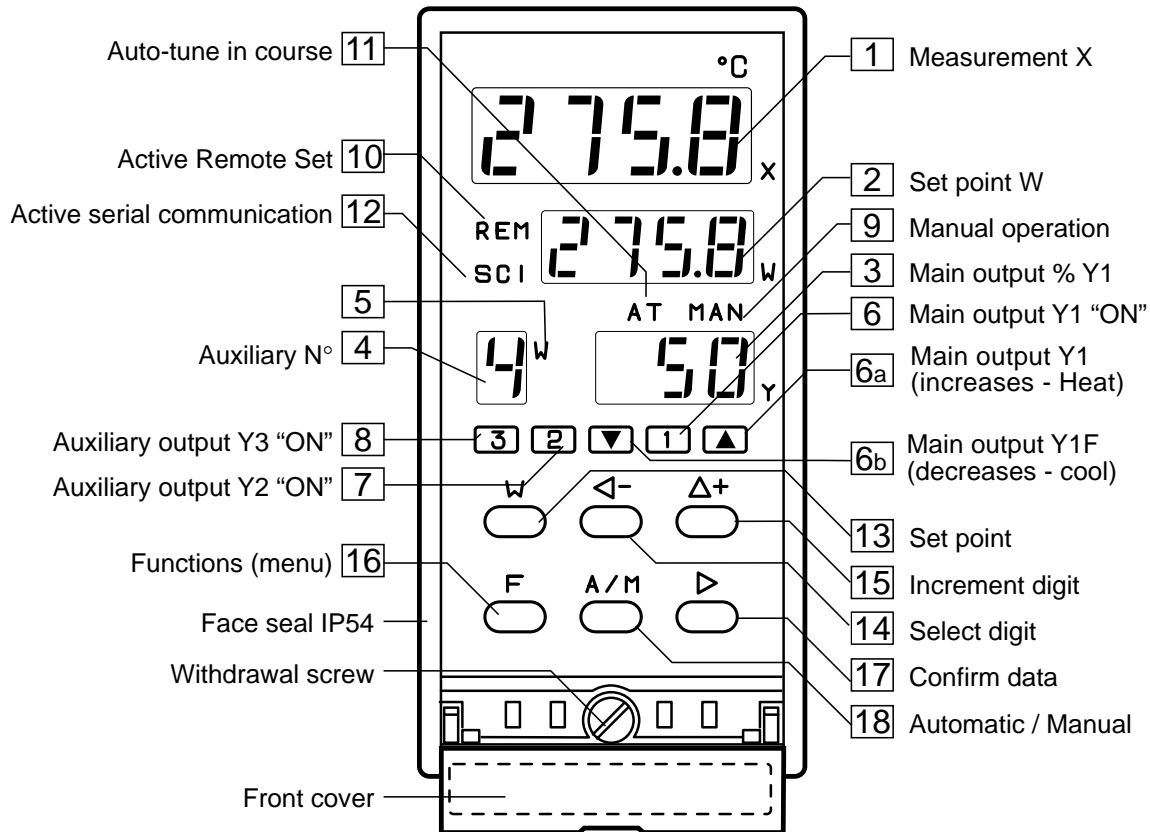
If this appears on starting

the controller **IS NOT CONFIGURED**



In order to configure the controller, follow the configuration procedure reported in the enclosed leaflet

2 • FUNCTION OF KEYS AND DISPLAYS



NUMERIC INDICATORS X, W, Y, N°

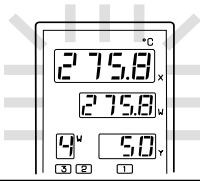
<p>[1]- Measure X (green)</p>	<p>The value of measure X is expressed in engineering units.</p>
<p>[10] </p>	<p>If above end of scale </p> <p>If below beginning of scale </p> <ul style="list-style-type: none"> - In programming: displays parameter values - In configuration: displays the values of the 1st part of the configuration code (see enclosed leaflet)
<p>[2]- Set point W (green)</p>	<p>Displays the operating Set point value (Local or Remote)</p>
<p>[7.5] </p>	<ul style="list-style-type: none"> - In programming: displays the parameter codes - In configuration: displays the index values of the 2nd part of the configuration code (see enclosed leaflet)
<p>[3]- Output Y1 (green)</p>	<p>Displays the value of main output Y1 from 0...100% (from - 100 to 100% for Y1 with dual action)</p>
<p>[7.5] </p>	<ul style="list-style-type: none"> - In configuration: Displays the mnemonic code []
<p>[4]- Auxiliary N° (green)</p>	<p>Normally off, lights up to display the selected N° of 1 of the 4 stored Set points , in which case led [5] "W" lights up too</p>
<p>[7.5] </p>	

2 • FUNCTION OF KEYS AND DISPLAYS







LEDS FOR OUTPUT STATE

6 - Output Y1 (red)	Light with output Y1 "ON" De-activated with continuous or dual action discontinuous output	
1		
6a - Output Y1 (red)	Light with output	Y1 "ON" (increasing servomotor position)
▲		Y1 (heat) "ON" - dual action
6b - Output Y1F (red)	Light with output	Y1 "ON" (decreasing servomotor position)
▼		Y1 (cool) "ON" - dual action
7 - Output Y2 (red)	Light with output Y2 "ON"	
2		
8 - Output Y3 (red)	Light with output Y3 "ON"	
3		

LEDS FOR OPERATING STATE

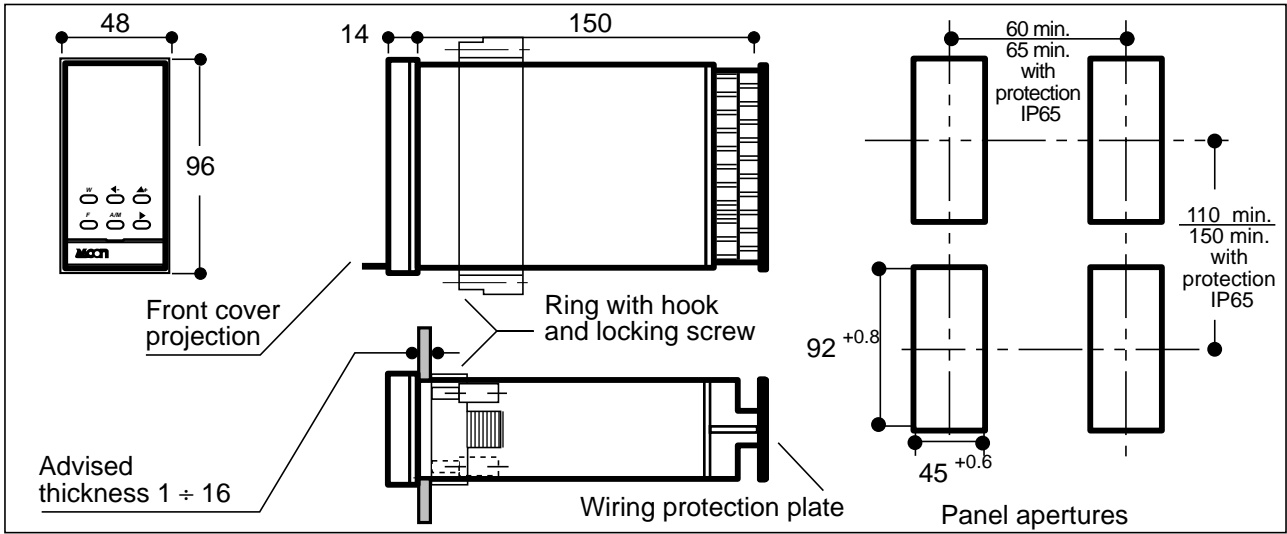
9 - Manual (green)	Light in Manual operation	
MAN		
10 - Remote (green)	Light when the Remote Set point is operating (if off, the operating Set point is the Local one)	
REM		
11 - Auto-Tune (green)	Light when Auto-Tune is AT in course	
AT		
12 - Serial comm. (green)	Permanently light when the serial communication is enabled to write. Flashes with signal in transit	
SCI		
Loop - Break - Alarm		With output Y3 active and configured as Loop Break Alarm, the front displays X and W are flashing (see p. 15)

2 • FUNCTION OF KEYS AND DISPLAYS

KEYS		
13 - Set Point	configuration: 1 Local used for: <ul style="list-style-type: none"> • modifying the Local Set point 1 Local + 1 Remote used for: <ul style="list-style-type: none"> • modifying the Local Set point • passing from Local to Remote Set point and viceversa (see enclosed leaflet) 1 Local + 4 storable used for: <ul style="list-style-type: none"> • modifying the Local Set point • to recall the Local operating Set point • recalling the 4 memorized Set points (see enclosed leaflet) 	
		
14 - Digit selection	Selects the digit to be modified (see enclosed leaflet) In Manual operation, decrements the value of main output Y1	Keys for modifying numeric values of any data
		
15 - Increment digit	Increments the value of the flashing digit, from 0...9 In manual operation increments the value of main output Y1	
		
16 - Functions	Permits access to menu of functions to be programmed	Keys for data programming and processing
		
17 - Enter	Enter or Scroll of values and modes of operation	
		
18 - Auto/Man	Passage from Automatic to Manual operation and viceversa	
		

3 • DIMENSIONS - INSTALLATION

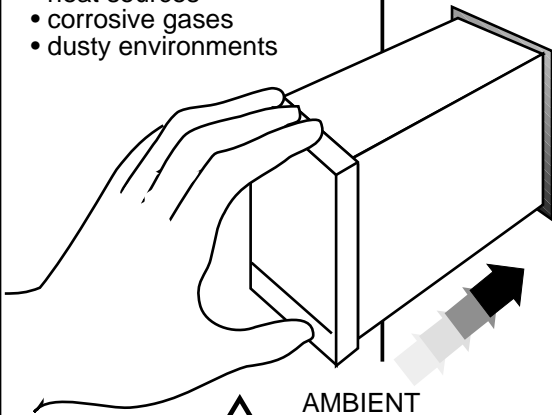
3.1 - Overall dimensions (in compliance with DIN 43700)



3.2 - Panel installation

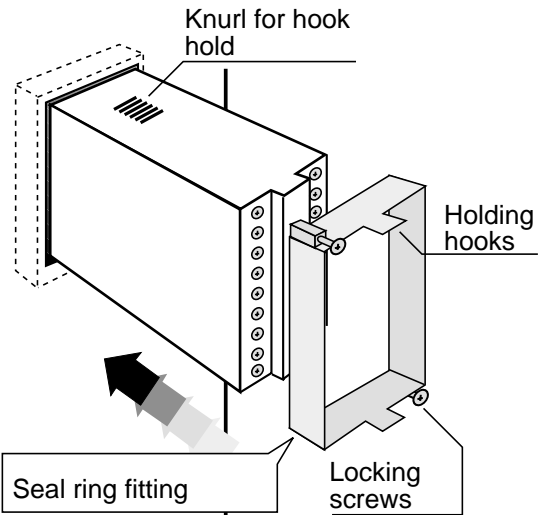
A • Panel fitting

- Install away from:
- heat sources
 - corrosive gases
 - dusty environments

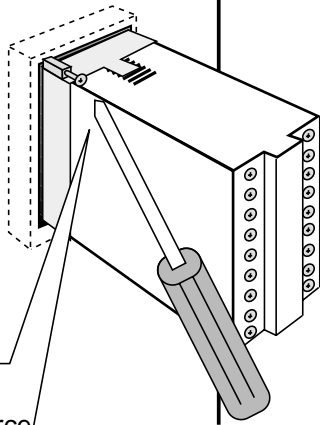


AMBIENT
Temperature: 0 ÷ 50°C
Humidity : 30 ... 85uR%

B • Fixing with ring



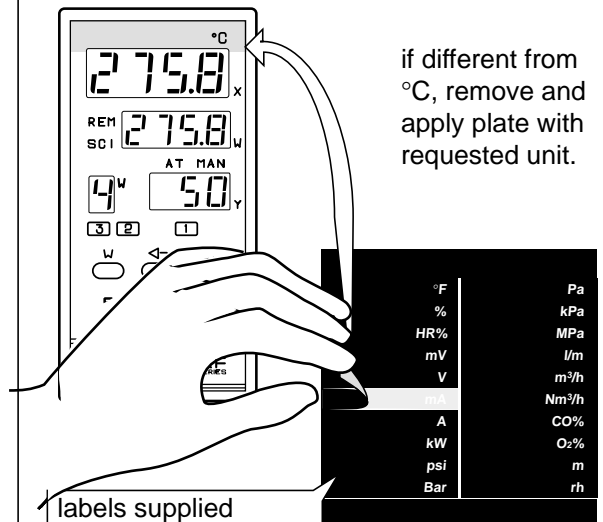
C • Screw locking



Do NOT force

cross-screwdriver

D • Plate for engineering units



4 • ELECTRICAL WIRING

A • Terminal board

28 screw terminals M3.5

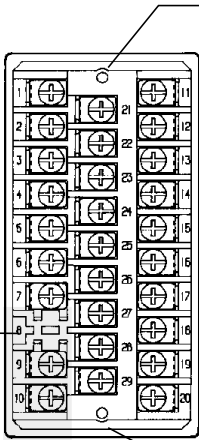
Plate pin

Wiring protection plate

Plate screw

Cold joint compensation thermometer

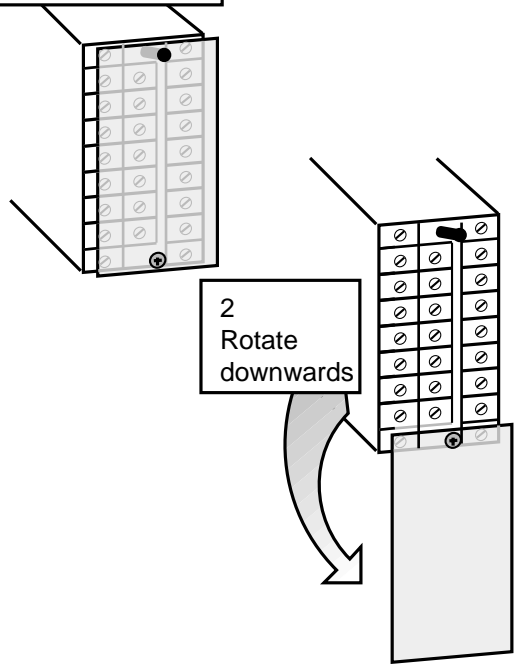
3 gilded terminals for input signals



B • Freeing the terminals

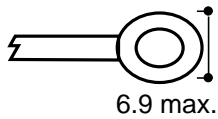
1 Lift the plate to free the pin

2 Rotate downwards

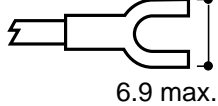


C • Effecting the connections

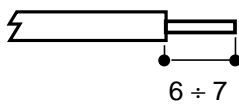
With eyelet terminals



With fork terminals



With tinned wire



Preferential

Cable section

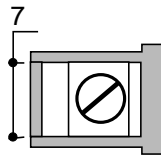
wires N°

2

1

2

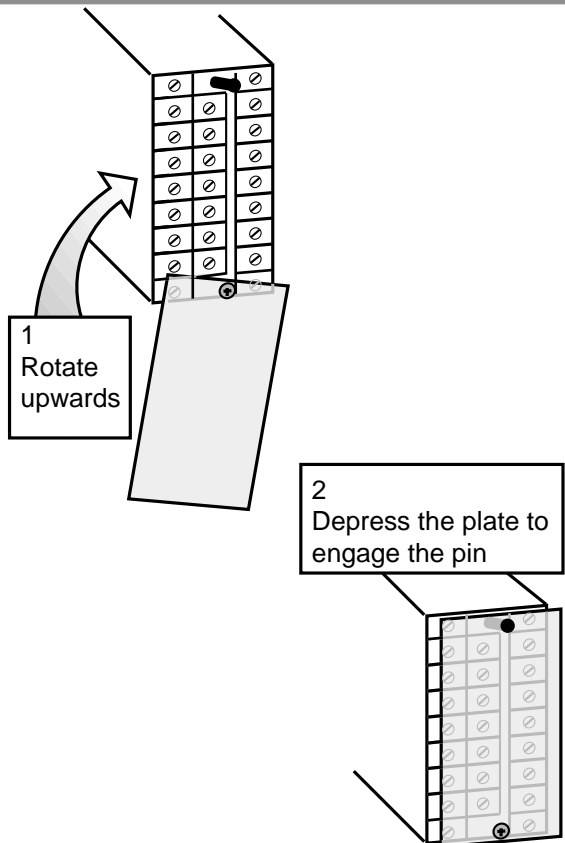
0.25 ÷ 2.5 AWG
22 ÷ 14



D • Protecting the terminal board


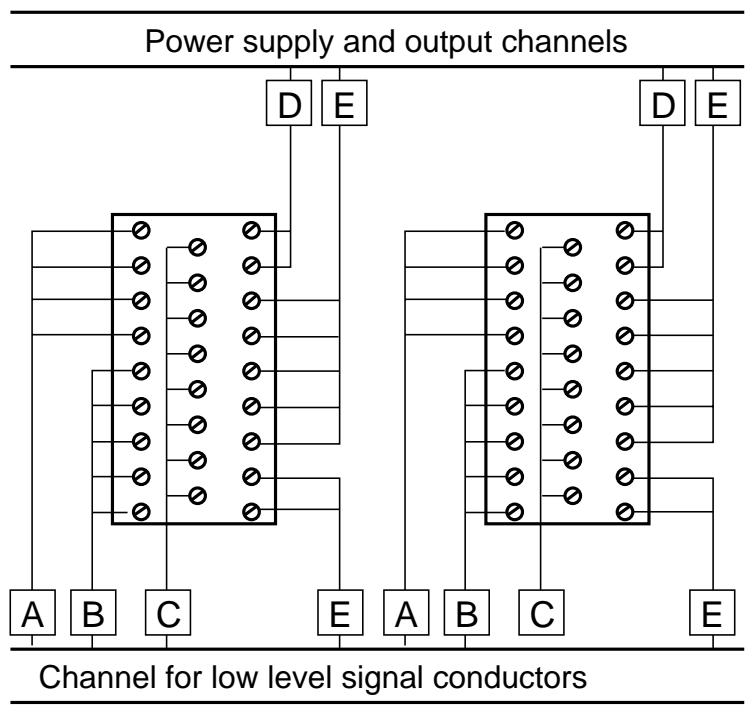
1 Rotate upwards

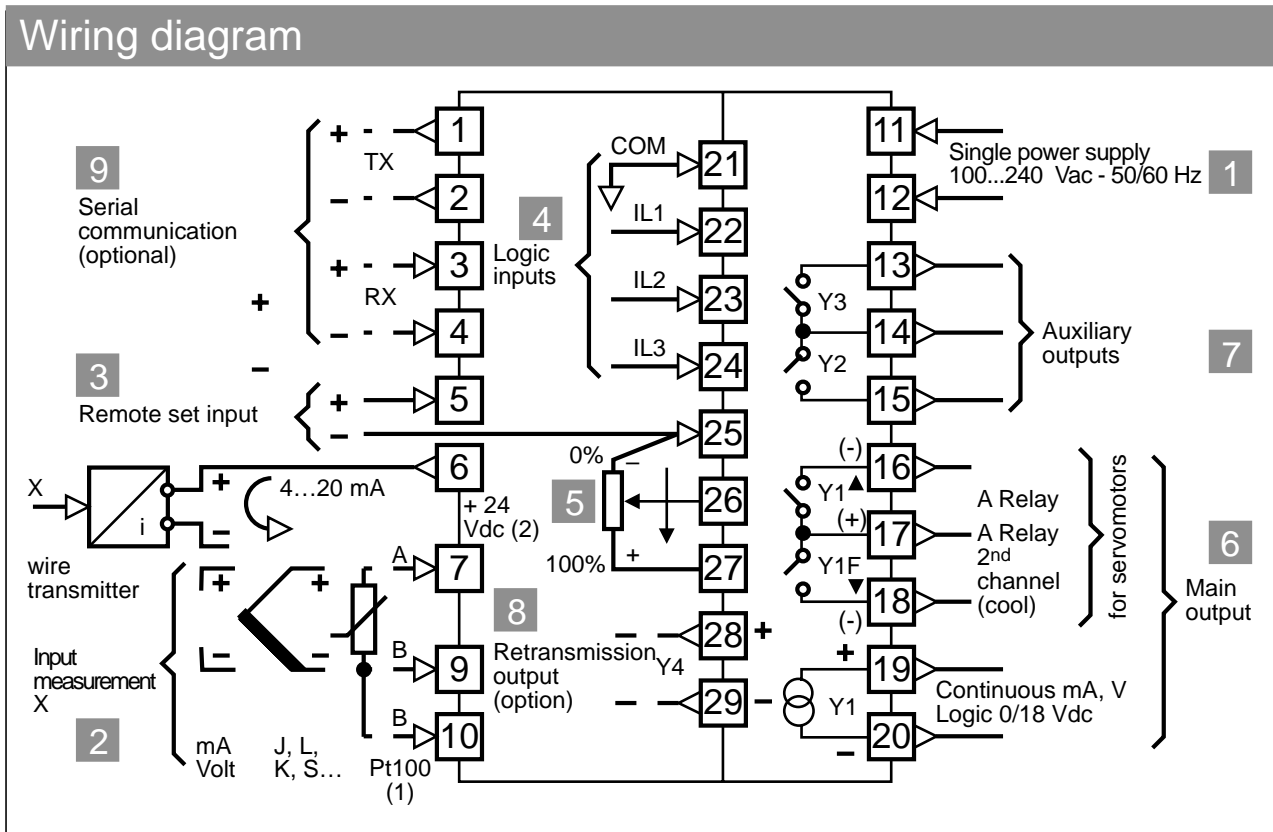
2 Depress the plate to engage the pin



4 • ELECTRICAL WIRING

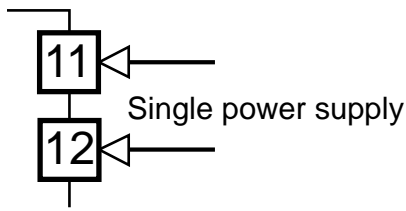
Although this controller is designed to resist the heaviest disturbances present in industrial environments (level IV of standard (IEC 801-4), it is advised to keep to the following precautions:

Precautions	Advised conductor course
 Single out supply line from power line Keep away from teleruptors, electromagnetic contactors and powerful motors Keep away from power groups, in particular if with phase control	
Serial communication A Analogic inputs B Logic inputs and analogic signals C Input D Outputs E	



4 • ELECTRICAL WIRING

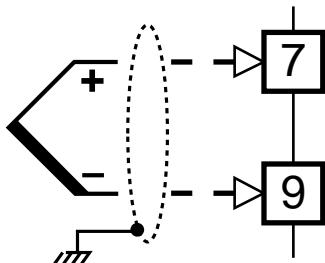
1 • Single power supply



- "Switching" type
- Standard: 100 to 240 Vac - 15% + 10%
250 Vac max.
 - for low tension: 24 Vac -15% + 10%
24 Vdc \pm 15%
- Absorbed power 4VA

2 • "X" measurement input

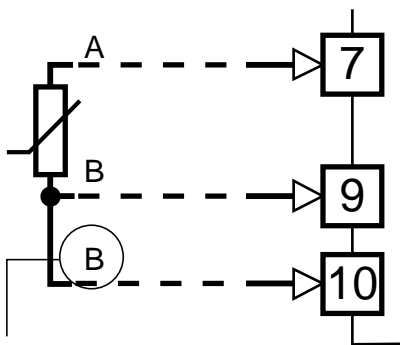
A - For thermocouples J-L-K-S-R



Line: max. 150 Ω

- Respect polarities
- For eventual extensions, use a compensated cable suitable for the type of thermocouple used
- The eventual screen is well earthed at only one end

B - For RTD Pt100

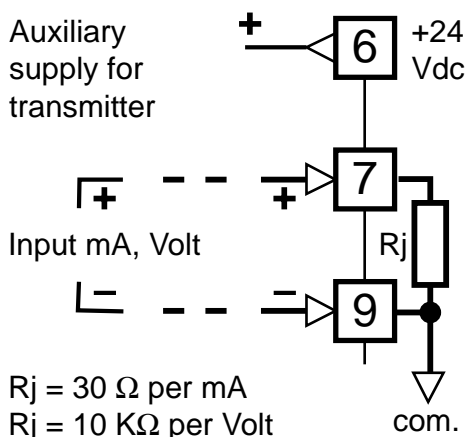


for 3-wire connection only
Line: 20 Ω max. for wire

- For 3-wire connection, use cables of same section (min. 1 sq.mm)
- For 2-wire connection, use cables of adequate section (min. 1.5 sq.mm.)

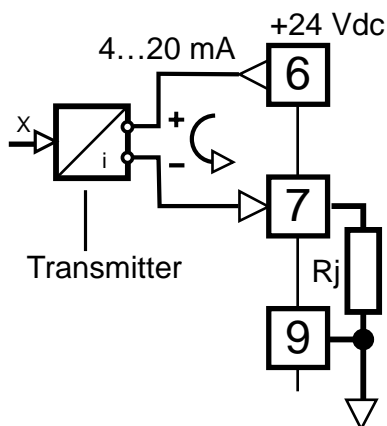
Note:
with a 15 m. probe-controller distance and a 1.5 sq.mm. section cable, the error is about 1°C.

C • Continuous, mA, Volt

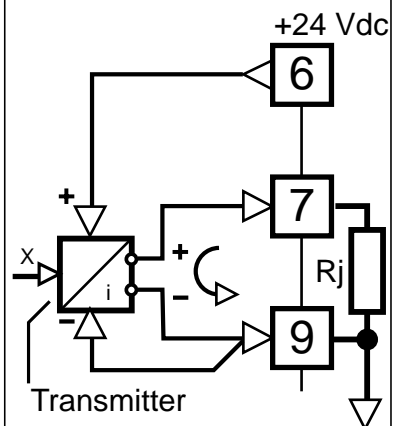


$R_j = 30 \Omega$ per mA
 $R_j = 10 K\Omega$ per Volt

For 2-wire transmitter



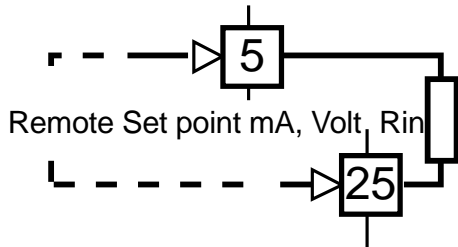
For 3 or 4-wire transmitter



4 • ELECTRICAL WIRING

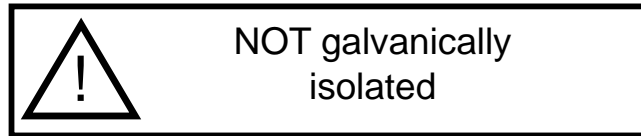
3 • Remote Set point input

$R_{in} = 30 \Omega$ per mA
 $R_{in} = 330 K\Omega$ per V



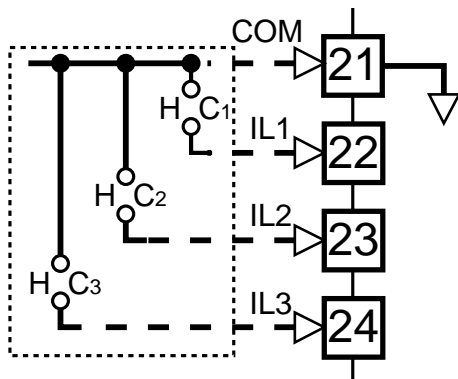
In current 4..20 mA

In voltage 0..10Vdc



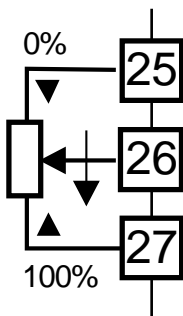
4 • Logic inputs

External contacts

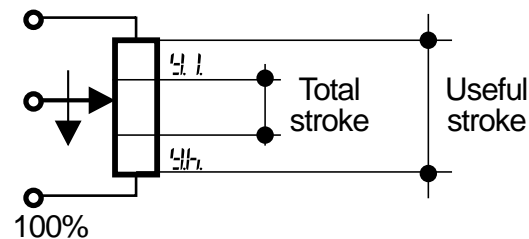


An impulsive (2 sec. at least) closing of contacts C1, C2, C3, permits the selection AUTO or MAN, Local or Remote Set point and recalling the 4 memorized Set points

5 • Input potentiometer position (servomotors)



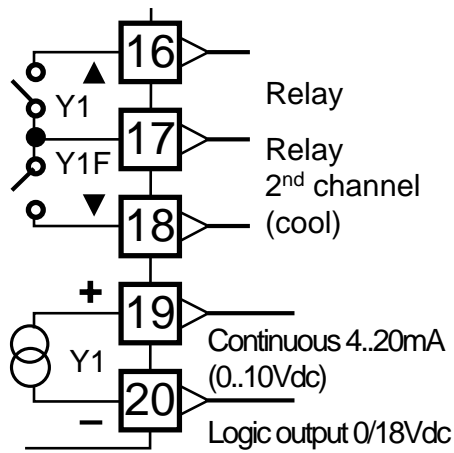
From 100Ω to $10K\Omega$ max



See calibration procedure on the enclosed sheet

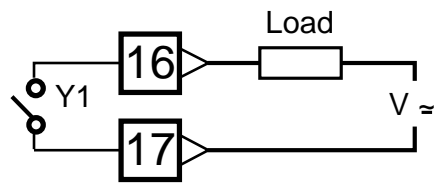
4 • ELECTRICAL WIRING

6 • Main output Y1



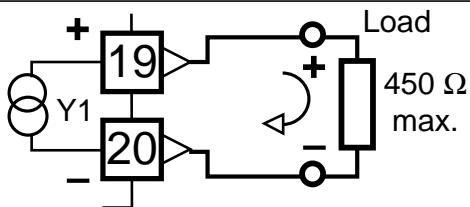
Universal and galvanically isolated. 2 relays are simultaneously present for discontinuous output with single or dual action (HEAT:COOL), or for the floating output with 3 positions for servomotors and the signal for standard continuous output 4..20mA (or 0..10Vdc) which can also be Logic output 0/18Vdc).

A • Single with Relay



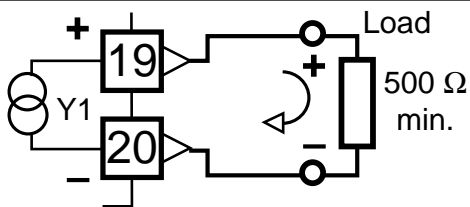
NA contact, capacity 5A/250Vac for resistive loads (transition 2×10 (coeff.5) min. at 5A/250Vac)

B • single in current



Continuous output 4..20mA galvanically isolated

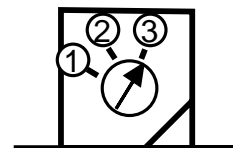
C • single in voltage



Continuous output 0..10Vdc galvanically isolated

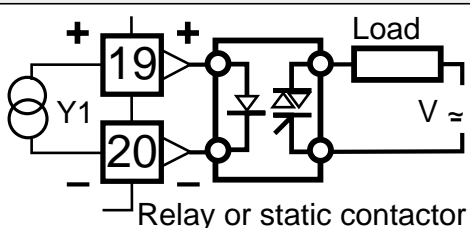


Position the switch set inside the controller too



- ① Continuous output 4...20mA Standard
- ② Continuous output 0...10Vdc
- ③ Logic output 0...18Vdc

D • single logic

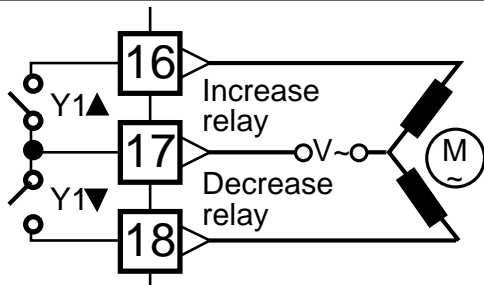


Output 0/18Vdc (20mA max.) galvanically isolated

4 • ELECTRICAL WIRING

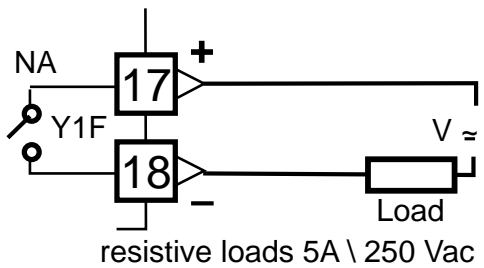
6 • Main output Y1 (continued)

E • Dual action for servomotors



Three positions two interlocked NO contacts (Increase stop Decrease) 5A/250 Vac for resistive loads (transition 2×10^5 min. at 5A/250 Vac)

F • Dual action relay

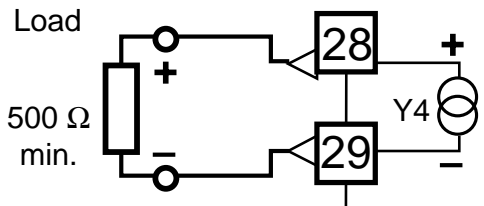


For controllers with dual action output Y1 (example: Heat-Cool), an extra output Y1F with Relay is available for the cooling action. If a continuous output is desired for cooling, use the retransmission output Y4 (option) configured for retransmission of the signal: Y1F (cool).

Possible combinations for Y1 dual are:

Terminals	16 - 17	19 - 20	16-17	19 - 20
Y1 ▲ (Heat)	R R	L L C C	R C L	
Y1 ▼ (Cool)	R L*	R L* L* R	C C C	
Terminals	17 - 18		28 - 29	

G • Continuous dual action



Retransmission output Y1F (option)

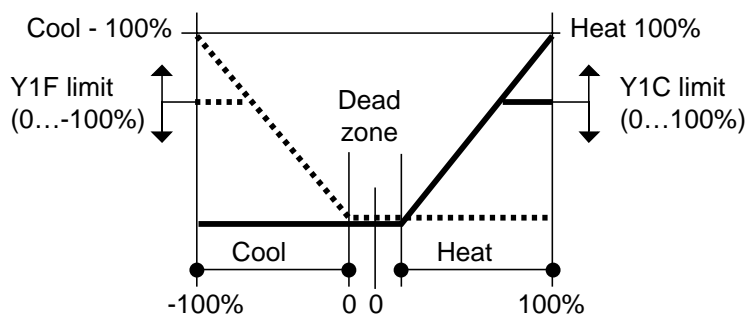
galvanically isolated
4...20mA, 10Vdc max. or
0...10Vdc, 20mA max.

See retransmission output Y4

where: R = Relay L = Logic C = continuous (mA or Volt)
*version on request

For Y1 cool, R is the extra relay of Y1, while C is the retransmission output Y4 configured to retransmit Y1 cool: 4...20mA or 0...10 Volt.

Output feature of dual action controllers

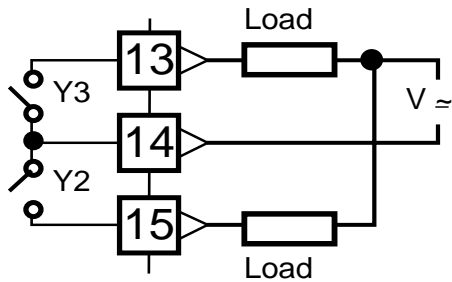


... Y1F = output cool

— Y1C = output heat

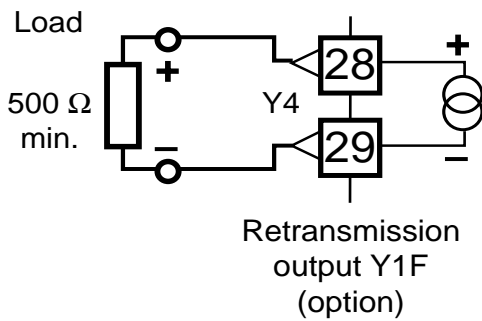
4 • ELECTRICAL WIRING

7 • Auxiliary outputs Y2 (see p. 14)



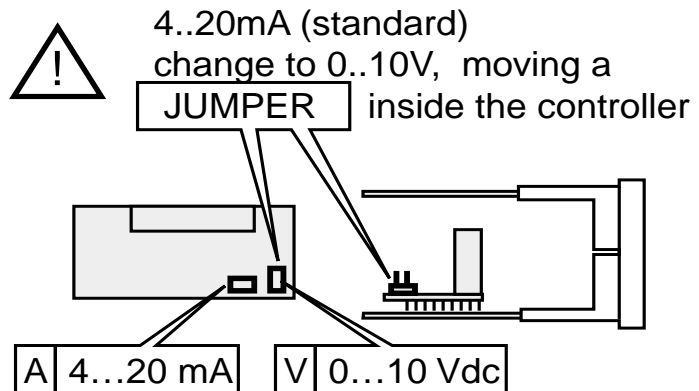
NA contacts, capacity 5A/250Vac for resistive loads (transitions 2x10 (coeff.5) min. at 5A/250Vac)

8 • Retransmission output Y4 (option)

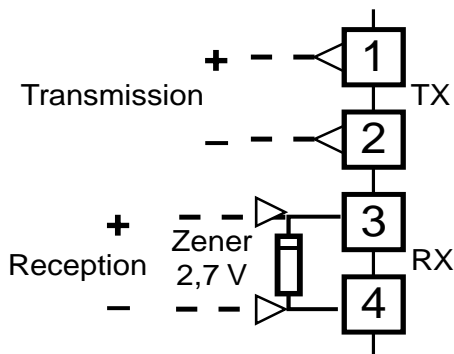


Retransmission:
of measurement X
of Set point W
of output Y1F (Cool)

Galvanically isolated
4..20mA, 10Vdc max. or
0..10Vdc, 20mA max.



9 • Serial communication (option)



Note
Zener 2,7 V Only for 20mA C.L.

Interface 20mA C.L. passive and galvanically isolated or RS485 port

**Consult Directions for use
"SERIAL COMMUNICATION
SUPPLEMENT" MIU-CS/E supplied
separately.**

5 • Y2 - Y3 AUXILIARY OUTPUTS

Deviation		
	Active high (above)	Set point ΔW (1) -300...+300 steps compared to W1
	Active low (under)	
Band		
	Active out (above)	Set point $I\Delta W$ (1) -0...300 steps compared to W1
	Active in (under)	
Independent		
	Active high (above)	Set point (1): from beginning to end of scale
	Active low (under)	
(1) - The Set point of Y2 and Y3 is not limited by the limits of the main Set point W1, but only by the scale span.		
Deviation with startup inhibition		
	Active high (above)	Set point ΔW (1) -300...+300 steps compared to W1
	Active low (under)	

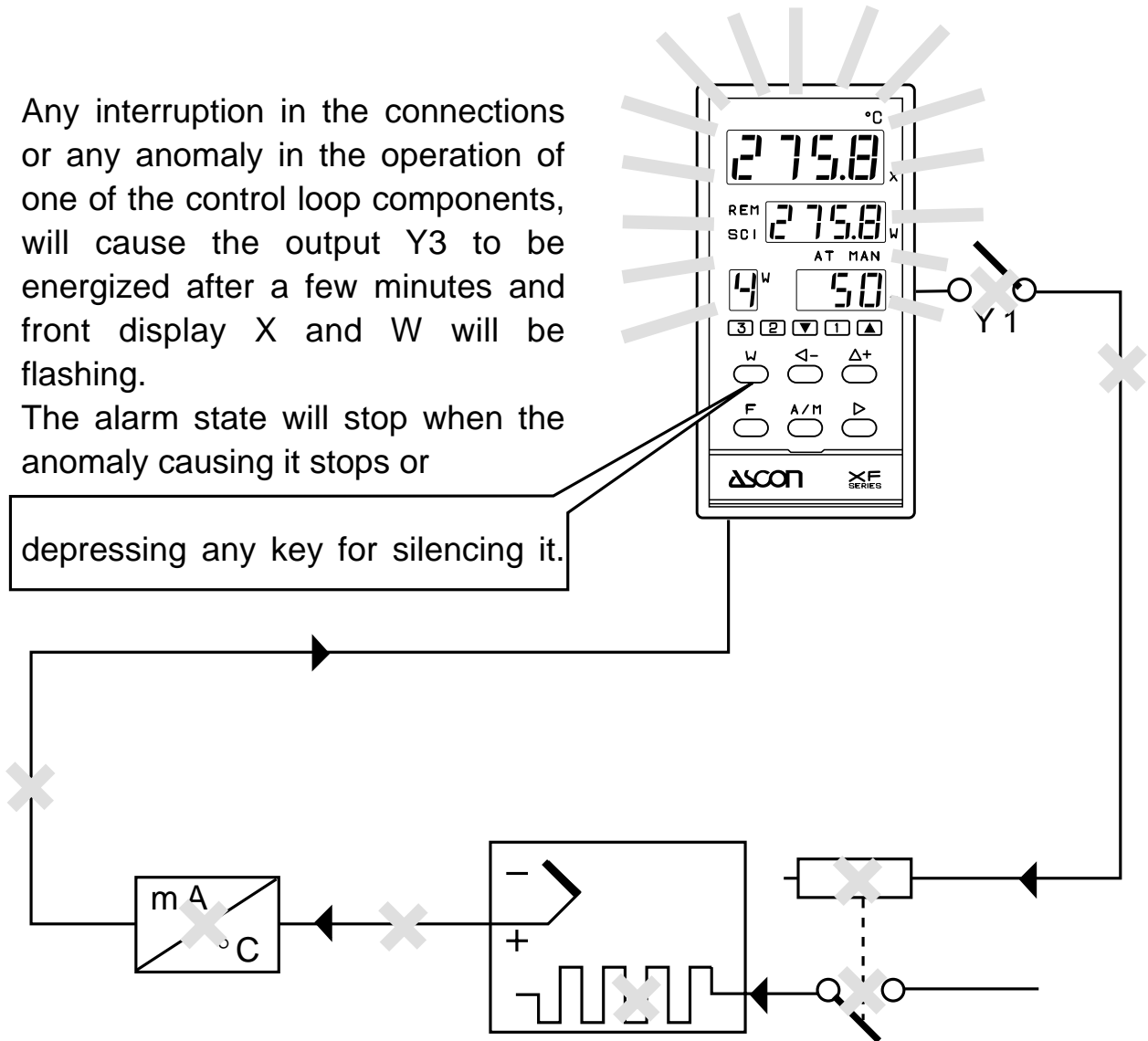
5 • Y2 - Y3 AUXILIARY OUTPUTS

“Loop-Break-Alarm” LBA (control loop defect/interruption)

Any interruption in the connections or any anomaly in the operation of one of the control loop components, will cause the output Y3 to be energized after a few minutes and front display X and W will be flashing.

The alarm state will stop when the anomaly causing it stops or

depressing any key for silencing it.

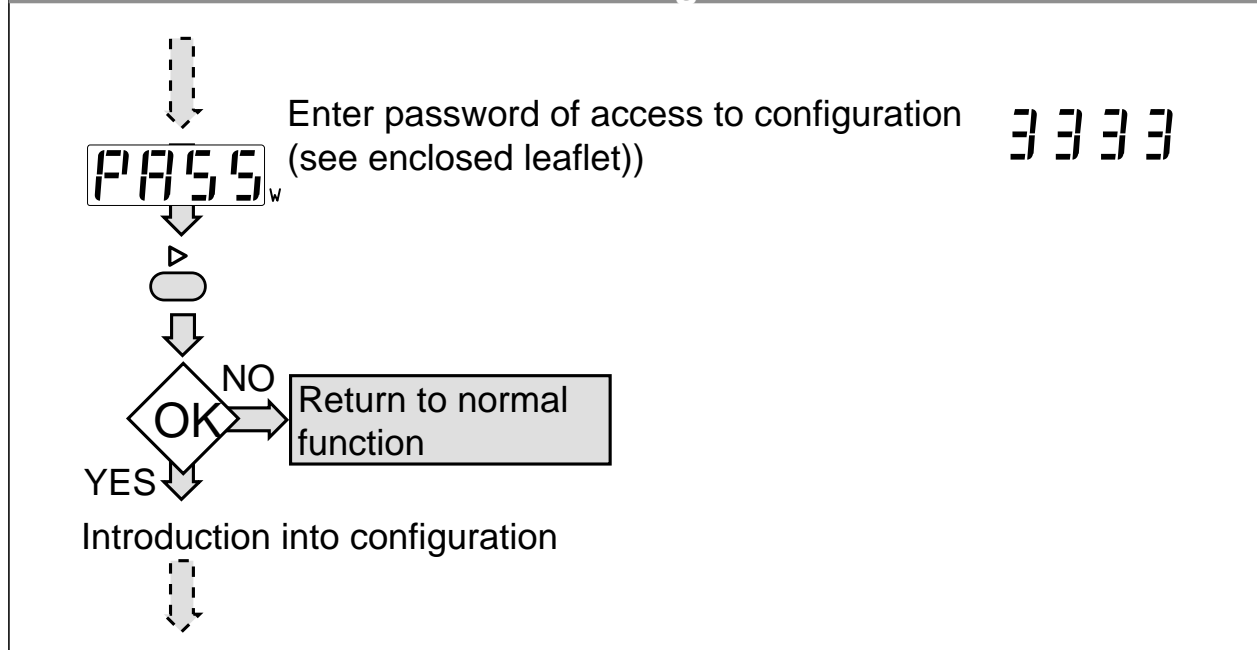


With ON - OFF action "LBA" feature is not available

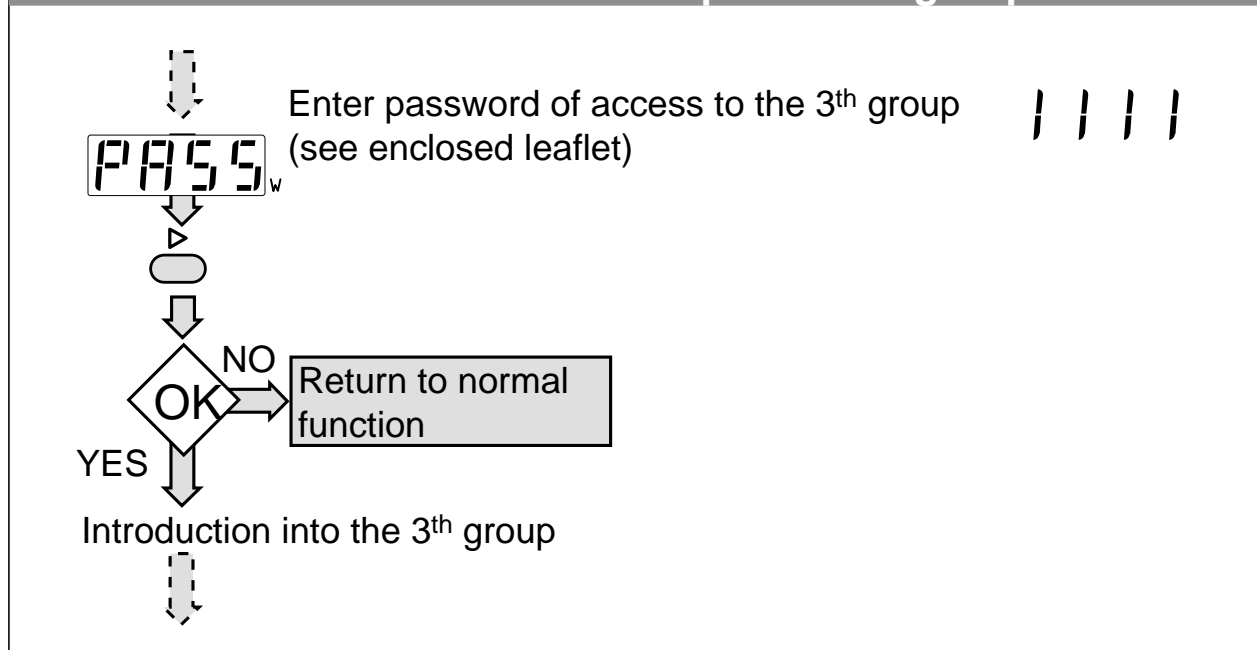
6 • PASSWORD

In order to prevent tampering or inadvertent alterations of the configuration or of some important parameters at the programming stage, 2 passwords have to be entered.

6.1 Password of access to configuration 3333



6.2 Password of access to the 3th parameter group 1111

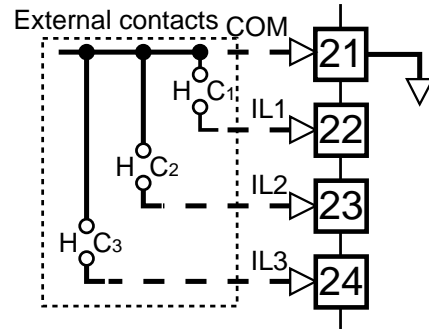
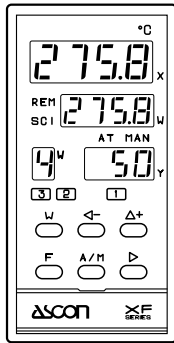


9 • MODIFYING THE OPERATING STATE

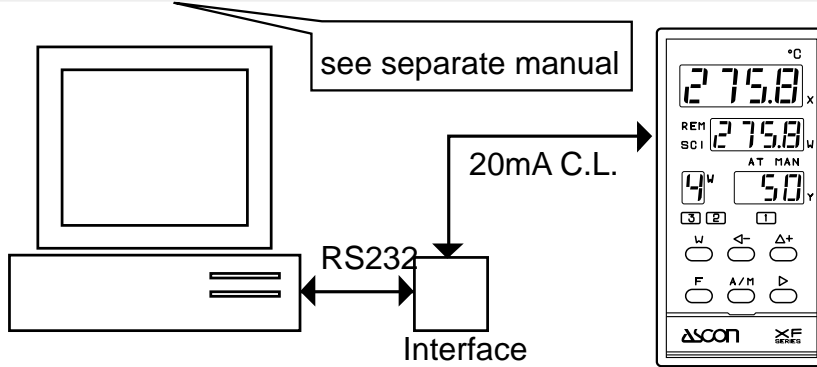
Modifications may be carried out through:

commands from keyboard

external contacts on logic inputs



commands via serial



With external contacts on logic inputs IL1, IL2, IL3

Impulsives closing for at least 2 sec., of contacts C1, C2, C3, permits modification of state or of Set point.

IL1	IL2	IL3	Type of modification		
$\overline{C1}$	$\overline{C2}$	$\overline{C3}$	Version with only Local Set point	Version with Set point (note1) 1 Local + 4 Memorized	Version with Set point 1 Local + 1 Remote
			No action		
ON			No action	Passage from REMOTE to LOCAL	
	ON		Passage from AUTOMATIC to MANUAL		
ON	ON		Passage from MANUAL to AUTOMATIC		
		ON	No action	Local Sp. = Memorized Sp. 1	passage Local Sp. to Remote Sp.
ON		ON	No action	Local Sp. = Memorized Sp. 2	—
	ON	ON	No action	Local Sp. = Memorized Sp. 3	—
ON	ON	ON	No action	Local Sp. = Memorized Sp. 4	—

Note 1: Is possible to fix the selected Set point holding closed the relative contacts. While they are closed is possible to make changment from Auto/Man or Man/Auto but it is not possible to change Set point

12 • TECHNICAL DATA

Accuracy (a25°C amb.)	0.2% ± 1 digit (for input with RTD Pt100 and thermocouples)		
	0.1% ± 1 digit (for input in current and voltage)		
Input "X" (configurable)	RTD Pt100	Pt100Ω @ 0°C, (IEC 751)	With configurable scale field
	Thermocouples	J-K-S-R (IEC 584), L (DIN 43710)	
	Continuous current	4..20mA, 0..20mA, Ri 30Ω	
	Continuous voltage	0..1Vdc, 0..10Vdc, Ri 10KΩ	
Auxiliary inputs	3 of logic type (control of operating and Set point states)		
Set point	1 Local + 4 storable		
	Distinct ascent and descent gradient slope	0.1...100.0 digit/min.	
	Higher and lower limit	from beginning to end of scale	
Local/Remote Set point	In current	4..20mA, Ri30Ω	Not isolated accuracy: 0.1% at 25°C.
	In voltage	0..10Vdc, Ri 330kΩ	
Control mode	Algorithm	On - Off, PID, FUZZY, PID with I and D excludable actions.	
	Proportional band (P)	0,5..999.9%	
	Integral action time (I)	0.1..100min., excludable	
	Derivative action time (D)	0.01..10min., excludable	
	Cycle time	1..200 sec. (for discontinuous control)	
	Hysteresis	0.1..10% (for on-off control)	
	Dead zone	± 0...5,0% for dual action (heat-cool)	
Auto - Tune	For automatic parameter adjustment (One shot)		
Auto/Man Station	With bumpless action, AUTO/MAN transfer via keyboard, logic input and serial communication.		

12 • TECHNICAL DATA

Main output Y1 (configurable)	Single or dual, with direct or reverse action			
	Discontinuous	Relay with dual action 2 contacts NA, 5A/250Vac, 2x10 coeff.5 transitions		
		Logic	0.18 Vdc, 20mA max. (for static relays)	galvanically isolated
	Continuous	Current	4..20mA(450Ω max., 10 Volts max.)	
		Voltage	0..10Vdc(450Ω min. 20 mA max.)	
Maximum output		10..100% (1 st channel \triangle) -10..-100% (2 nd channel ∇)		
Auxiliary outputs Y2 - Y3 (configurable)	Relay		2 contacts NA, 5A/250Vac, 2x10(coeff.5) transitions	
	Action mode		active high (above the set point) active low (below the set point)	
	Hysteresis		0,1..10%	
	Type of Set point	deviation	\pm 300 steps (with or without inhibited startup)	
		band	0..300 steps	
		independent	from beginning to end of scale	
Special functions		Loop-Break-Alarm (signal of control loop defect)		
Retransmission output Y4 (option)	Current	4..20mA(450Ω max., 10Vdc max.)	galvanically isolated	
	Voltage	0..10Vdc(500Ω min., 20mA max.)		
Serial communication (option)	Interface 20mA C.L. passive and galvanically isolated (see manual MIU-CS/E) or RS485 port			
Protections	Access to parameters	On three levels for: modification, indication only, no access		
	Immunity to disturbances	level IV, standard IEC 801-4		
	All significant data are stored in a non-volatile memory			
Single power supply	Standard model	100..240V, 48..63Hz, -15% + 10% 250 Vac max		
	Low voltage model	24V, 48..63Hz, -15% + 10% or 24Vdc \pm 15%		
	Absorbed power	about 4VA		
Auxiliary power supply	24Vdc \pm 10%, 20mA max. for 2-wire or 3 or 4-wire transmitter			
General features	Isolation group	C according to VDE 0110		
	Climatic group	KWF according to DIN 40040		
	Ambient temperature	0...50°C., humidity 35...85uR%		
	Protection	Front:IP54 standard (IP65 with Kit AXIP65- 1) Cover: IP30, terminal board IP20		
	Material	Self-extinguishing UL94V1		
	Weight	about 480 g.		
	Dimensions	48 x 96, depth 150mm, according to DIN 43700		

GUARANTEE

The equipment is guaranteed free from manufacturing defects for 1 year after installation, for a maximum of 18 months after delivery.

Faults caused by use other than that described in these operating instructions are excluded from the guarantee.

Ascon Technologic S.r.l.

via Indipendenza 56, 27029 - Vigevano (PV)

Tel.: +39 0381 69871, Fax: +39 0381 698730