



ANLY FLOATLESS RELAY

AFS / AFR / A61F-G FLOATLESS RELAY



CHARACTERISTIC :

- Suitable for any electrolytic fluid surface (NO VOLATILE FLUID)
- AC operating voltage
- Protection against interference from power surge
- Low electrodes AC voltage to prevent electrolysis for longer life expectancy
- 2 LED status indicator for water supply or drainage
- Automatic water supply or drainage operation and alarm for anomaly water supply*

Note: "*" indicates applicable to A61F-G2 series only

TYPE SELECTION :

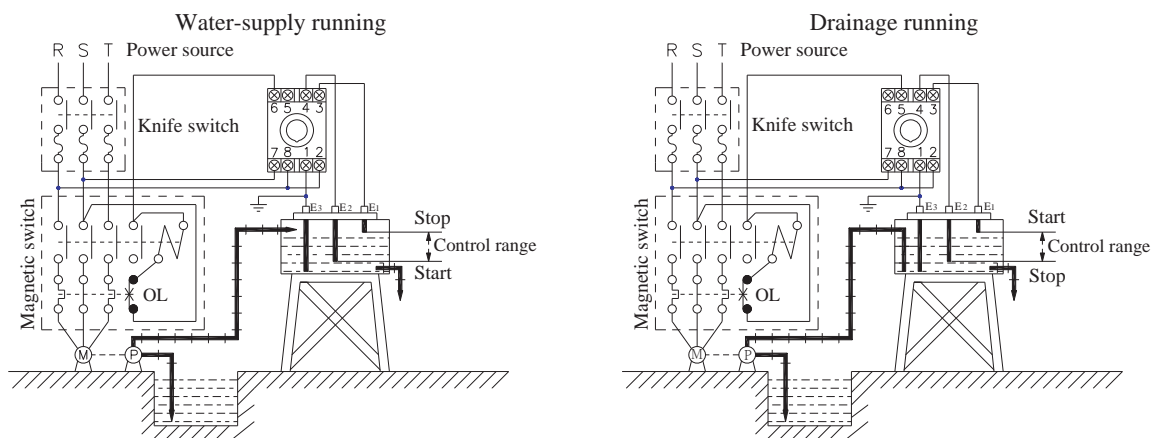
Sensing mode	Type						
General	AFS-1	AFR-1	AFR-G	A61F-GP-N	A61F-G	A61F-G1	A61F-G2
High sensing	AFS-1Y	AFR-1Y	----	----	A61F-GY	A61F-G1Y	A61F-G2Y
Long distance	AFS-1L	AFR-1L	----	----	A61F-GL	A61F-G1L	A61F-G2L
Low density	AFS-1D	AFR-1D	----	----	A61F-GD	A61F-G1D	A61F-G2D
Two lines	AFS-GR	----	----	----	----	----	----
Number of pins	8P	8P	8P	11P	9P	13P	13P

SPECIFICATION :

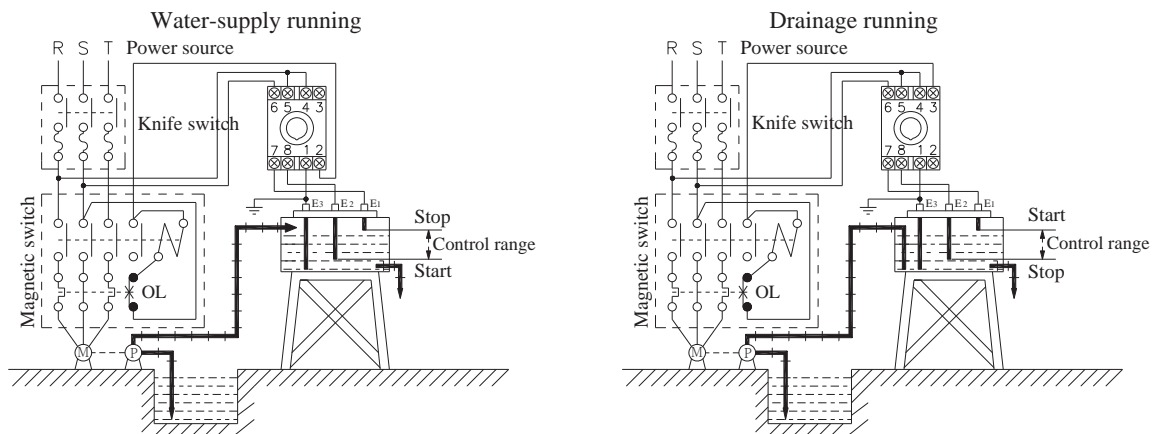
Type	AFS / AFR / A61F-GP-N	A61F-G / A61F-G1 / A61F-G2
Operating voltage	AC(V): 110, 220, 240	AC(V) : 110/220, 110/240, 220/380, 240/415
Allowable operating voltage range	85~110% of rated operating voltage	
Rated frequency	50 / 60 Hz	
Contact rating	250VAC 5A (resistive load)	
Second voltage	8VAC(except High sensing 24VAC)	
Operate resistance	0 ~ 4K Ω	
Release resistance	15K ~ ∞ Ω	
Length of cable	MAX 1Km	
Power consumption	AFS, AFR, A61F-GP-N and A61F-G Approx. 3.2VA , A61F-G1 Approx. 6VA	
Life	Mechanical: 5,000,000 times, Electrical:100,000 times	
Ambient temperature	-10 ~ +50 $^{\circ}$ C (without condensation & freezing)	
Ambient humidity	MAX 85%RH (without condensation)	
Altitude	MAX 2000m	
Weight	AFS-1, A61F-GP-N Approx. 160g AFS-GR Approx. 150g, AFR Approx. 200g	A61F-G Approx. 330g A61F-G1, A61F-G2 Approx. 580g

CONNECTION :

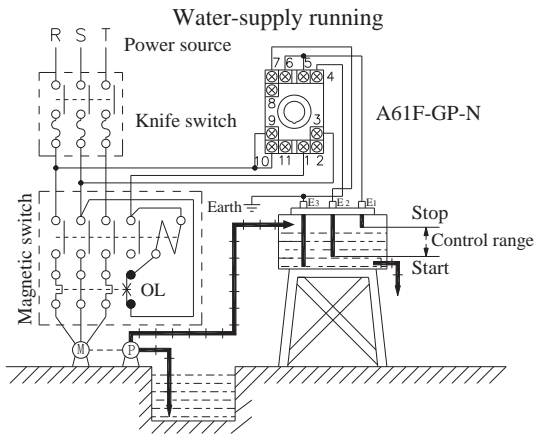
AFR-1,AFS-1



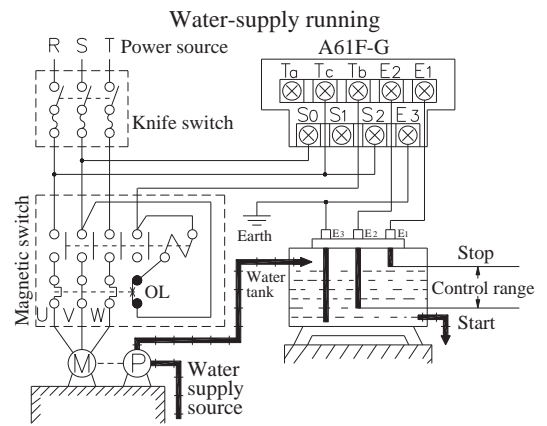
AFR-G,AFS-GR



A61F-GP-N

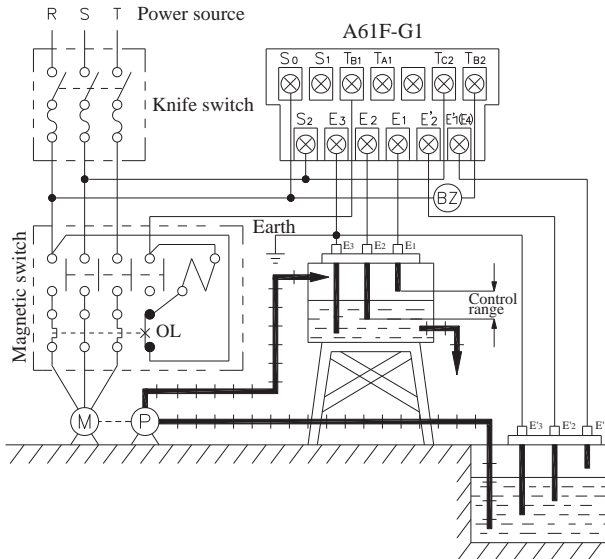


A61F-G

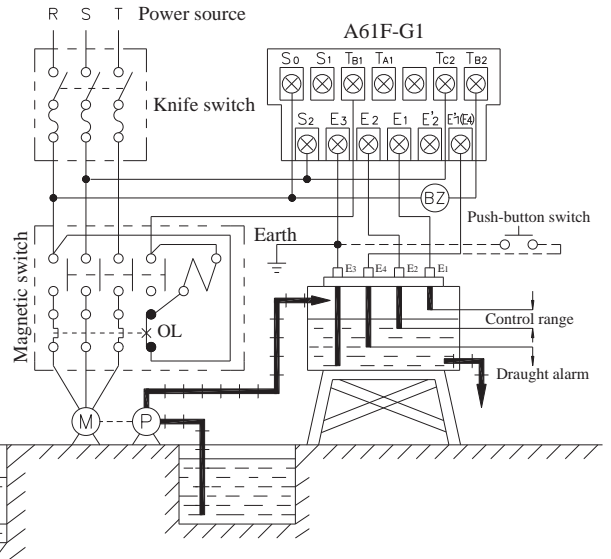


A61F-G1

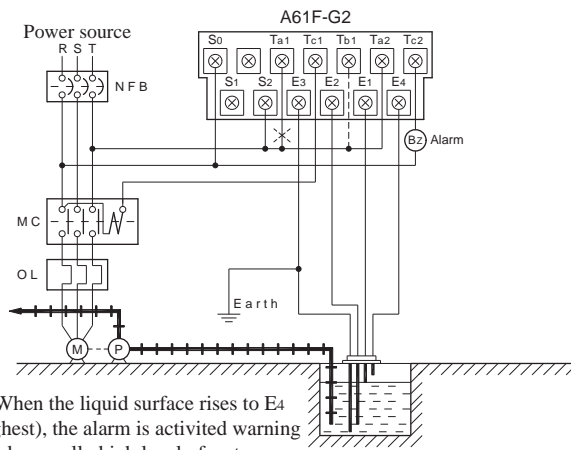
Water-supply running with prevention of idle running of pump.



Water-supply running with alarm for abnormal dearth water.



A61F-G2



< DRAINAGE >

When the liquid level in the tank exceeds E₁(high), the motor will be turned on. When the level drops to E₂ (medium) it will be turned off.

Connection :
Connect the Ta₁ to power source as the diagram show.
(Tb₁ unconnect)

< WATER-SUPPLY >

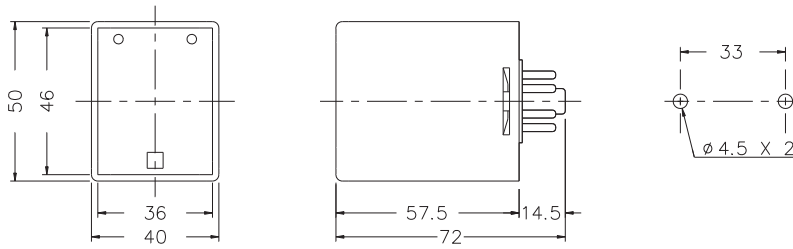
When liquid in the tank is dropped to the level below E₂ (medium), the motor will be turned on. When the level rises to E₁ (high) it will be turned off.

Connection :
Connect the Tb₁ to power source as the diagram show.
(Ta₁ unconnect)

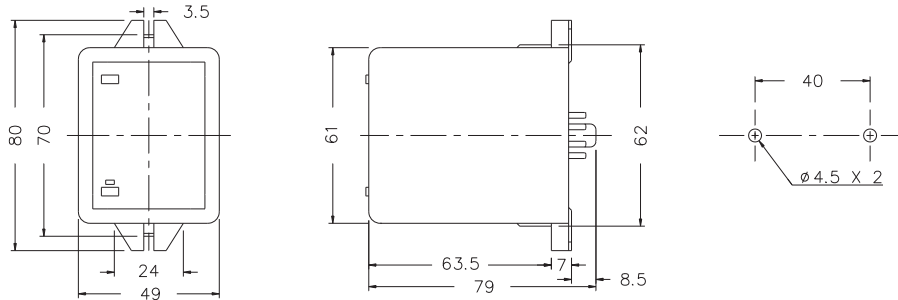
NOTE:1. With the power supply voltage AC 110V, the wiring is made between S₀-S₁ and S₀-S₂ for AC 220V.
2. Be sure to ground terminal E₃.

DIMENSIONS : (mm)

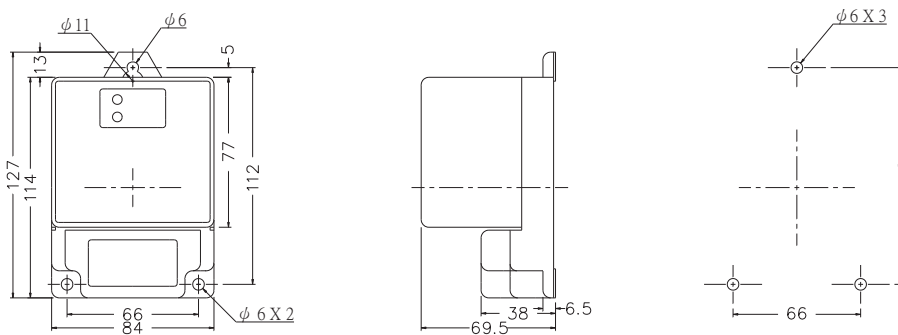
AFS series: Using PF085A Socket & FH-3, A61F-GP-N series: Using PF113A Socket



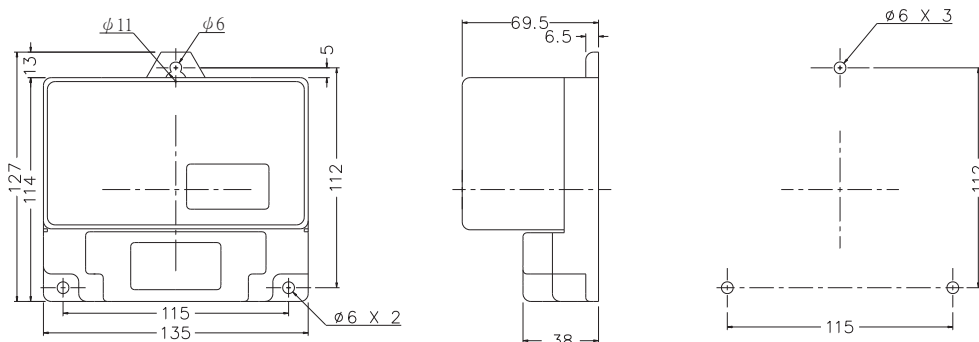
AFR series: Using 8PFA Socket



A61F-G series



A61F-G1 series



Tolerance:±0.1

ONLY ELECTRONICS CO., LTD.

<http://www.ONLY.com.tw>

TAIWAN MAIN OFFICE : ONLY ELECTRONICS CO., LTD.

No.19, Lane 202, Fushou St., Xinzhuang Dist., New Taipei City 242, Taiwan
TEL: +886-2-2996-3202 FAX: +886-2-2996-2017

MALAYSIA BRANCH : JUSTY ELECTRONICS (M) SDN, BHD.

No.1, Jalan 6/89B, Kawasan Perindustrian Triseigi, Batu 3 1/2 Off Jalan Sungei Besi, 57100 Kuala Lumpur, Malaysia
TEL: +60-3-7983-5758 FAX: +60-3-7981-5052

HONG KONG BRANCH : ONLY ELECTRONICS (HK) LTD.

Flat K, 13/F, Edward Mansion, 141 Prince Edward Road W., Kowloon, Hong Kong
TEL: +852-2397-2505 FAX: +852-2397-6080

SHANGHAI BRANCH : ONLY TECHNOLOGY (WUXI) CO., LTD.

Room 13G, No.831, Xinzha Rd., Jingan District, Shanghai, China 200041
TEL: +86-21-6218-3300 FAX: +86-21-6217-5911

NO. AFS-R-A