



Figure similar

22MM ROUND METAL ACTUATOR: RONIS LOCK WITH 2 KEYS
 MOMENTARY CONTACT 2 SWITCH POSITIONS O-I LOCK NUMBER SB
 30, REMOVE O WITH HOLDER POSSIBLE SPECIAL LOCKS FOR
 RONIS KEYSWITCHES: SB31, 455, 421 !!! Phased-out product !!! SIRIUS
 ACT 3SU1 is suc Preferred successor ty >>3SU1050-4BC01-0AA0 +
 3SU1550-0AA10-0AA0<<

design of the product	Single device round
Enclosure	
number of command points	1
Actuator	
design of the actuating element	Key-operated switch
principle of operation of the actuating element	momentary contact type
product extension optional light source	No
color of the actuating element	silver
material of the actuating element	metal
outer diameter of the actuating element	28.5 mm
type of unlocking device	without
number of switching positions	2
switch position for key distraction	O
actuating angle	
• clockwise	50°
lock make	RONIS
Front ring	
product component front ring	Yes
design of the front ring	Standard
material of the front ring	metal
color of the front ring	silver
Holder	
material of the holder	Metal
General technical data	
product function	
• EMERGENCY OFF function	No
• EMERGENCY STOP function	No
protection class IP	IP67
vibration resistance according to IEC 60068-2-6	20 ... 200 Hz: 5g
operating frequency maximum	1 000 1/h
mechanical service life (switching cycles) typical	300 000
reference code according to IEC 81346-2	S
Substance Prohibitance (Date)	07/01/2006
Connections/ Terminals	
tightening torque of the screws in the bracket	1.4 ... 1.6 N·m
Ambient conditions	
ambient temperature	
• during operation	-25 ... +70 °C

• during storage	-40 ... +80 °C
environmental category during operation according to IEC 60721	3K6

Installation/ mounting/ dimensions	
fastening method	front mounting
shape of the installation opening	round
mounting diameter	22 mm
mounting height	44 mm
installation width	28.5 mm
installation depth	29 mm

Certificates/ approvals	
General Product Approval	Marine / Shipping



Marine / Shipping	other
-------------------	-------



[Confirmation](#)

[Miscellaneous](#)

Further information

Information- and Downloadcenter (Catalogs, Brochures,...)

<https://www.siemens.com/ic10>

Industry Mall (Online ordering system)

<https://mall.industry.siemens.com/mall/en/en/Catalog/product?mlfb=3SB3500-4BD01>

Cax online generator

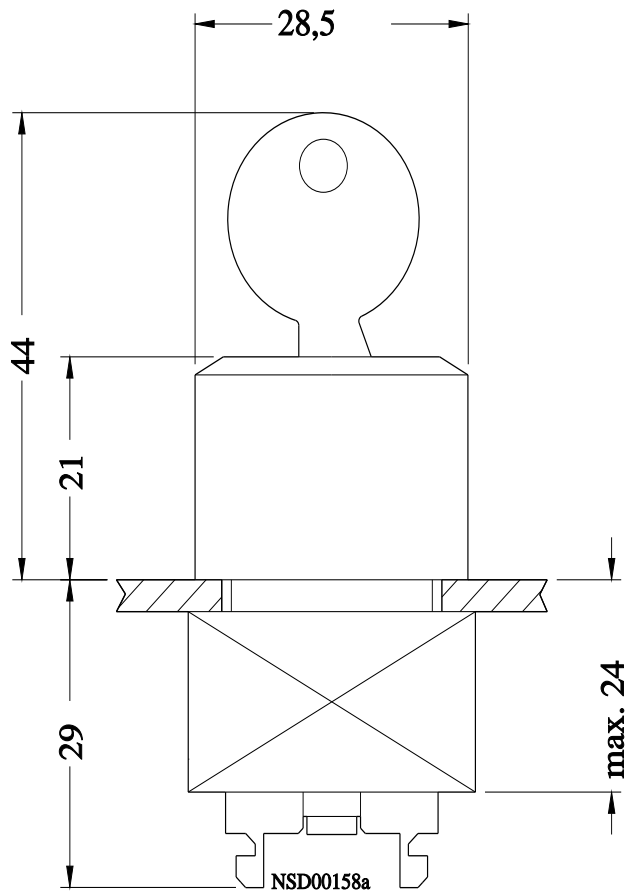
<http://support.automation.siemens.com/WW/CAXorder/default.aspx?lang=en&mlfb=3SB3500-4BD01>

Service&Support (Manuals, Certificates, Characteristics, FAQs,...)

<https://support.industry.siemens.com/cs/ww/en/ps/3SB3500-4BD01>

Image database (product images, 2D dimension drawings, 3D models, device circuit diagrams, EPLAN macros, ...)

http://www.automation.siemens.com/bilddb/cax_de.aspx?mlfb=3SB3500-4BD01&lang=en



last modified:

12/21/2020 